



# SLIDEACART

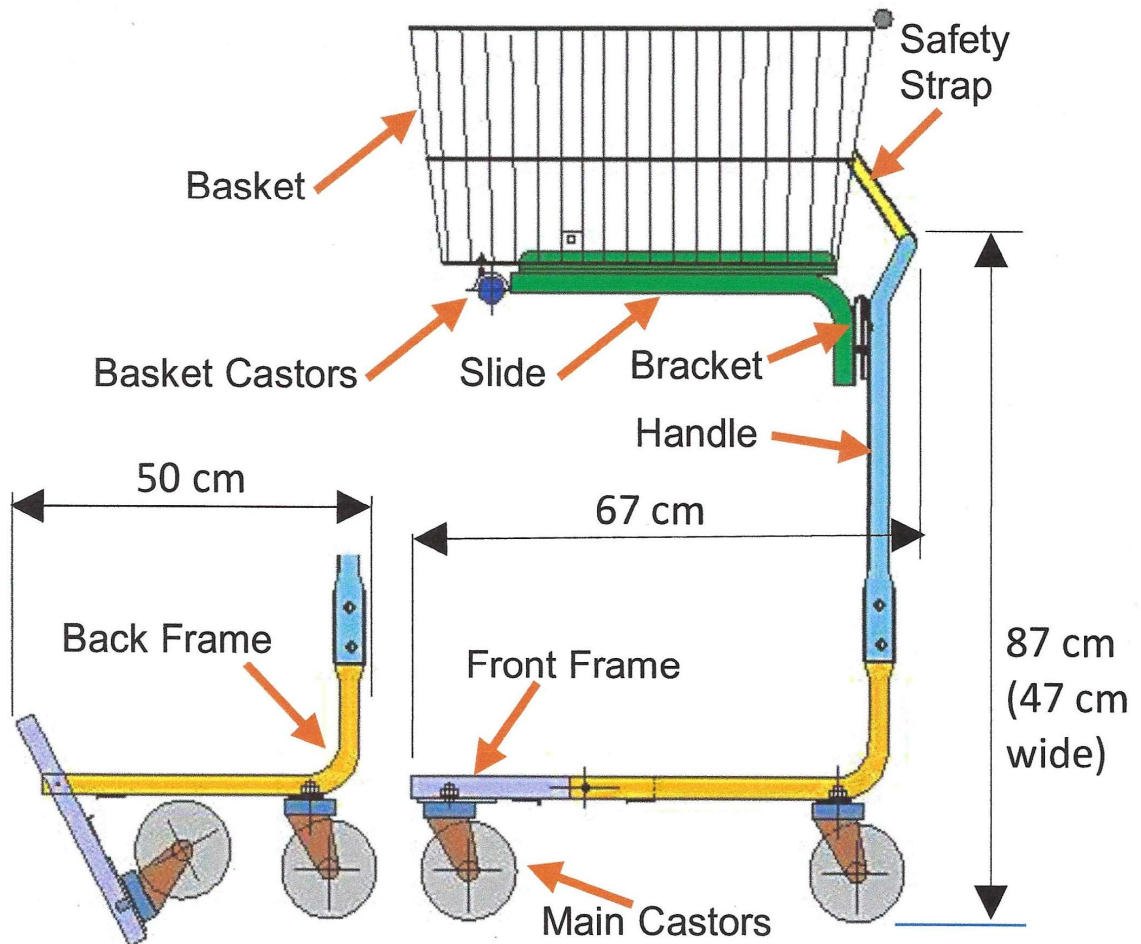


## INSTRUCTION MANUAL

### SAFETY-CRITICAL PROCEDURES

- ➔ Never leave the SlideAcart unattended on slopes that may cause it to roll away
- ➔ Never allow children to play with or use the SlideAcart as a toy
- ➔ Always hold onto the handles when on slopes / ramps
- ➔ Take extra care on Travelators e.g. when pushing the SlideAcart off the Travelator (slightly pull back on handle - watch video on website [www.slideacart.com.au](http://www.slideacart.com.au))
- ➔ Never take the SlideAcart anywhere without having the Safety Strap correctly fitted (watch video on website [www.slideacart.com.au](http://www.slideacart.com.au))
- ➔ Never overload the SlideAcart as this may damage some of the components (refer to specifications)
- ➔ Always look ahead for obstacles on the ground or on the sides to avoid hitting them (Pull SlideAcart in reverse until ground obstacle is cleared- if safe to do so)

## SLIDEACART MARK 3 MODEL



### **SPECIFICATIONS**

**Front/Back/Handle:** 25 mm steel tube - approx weight 7.5 kg (including main castors)

**Slide:** 25 mm steel tube - approx weight 3 kg

**Basket:** Steel wire (610 mm x 535 mm x 300 mm)

**Main Castors:** Twin Disc Travelator Castors

**Finish:** Frame and Slide - powder coated black  
Basket - Powder coated green

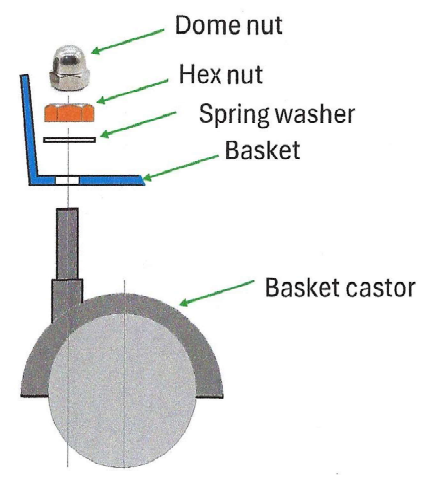
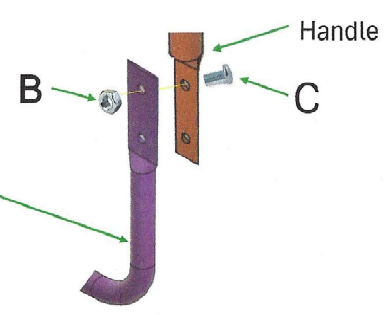
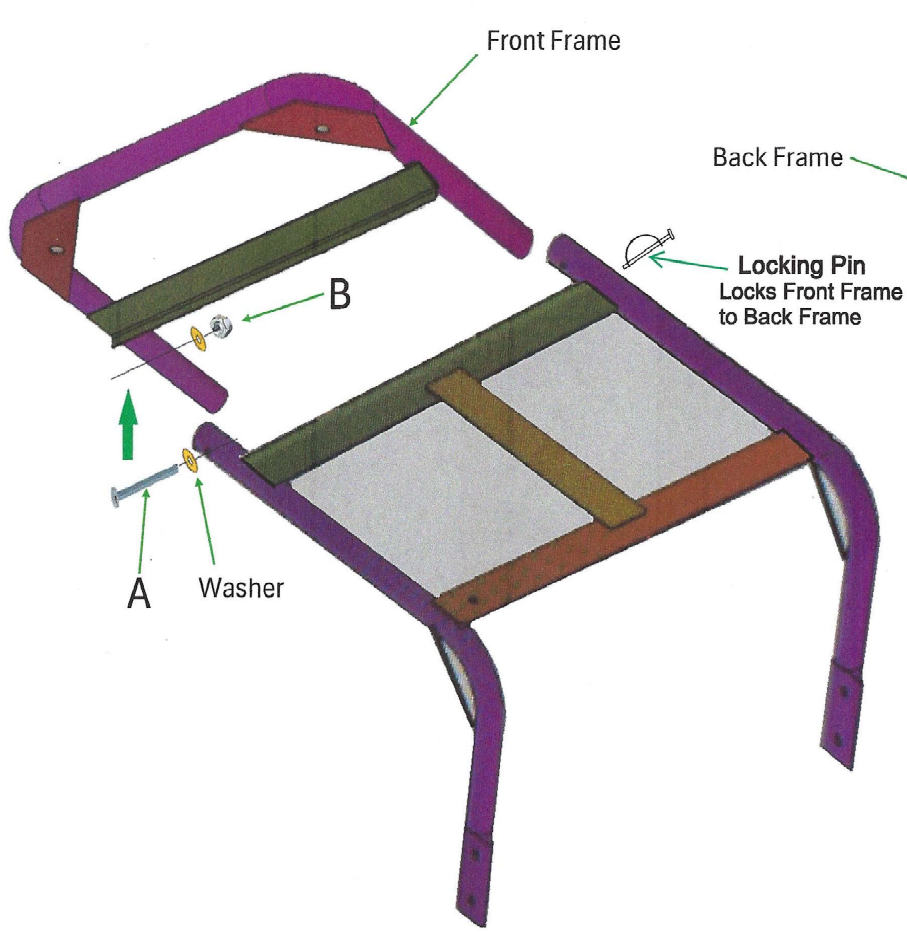
**Max Carrying Capacity:** 25 kg top, 50 Kg lower

**Basket Volume:** 84 Litres

# SLIDEACART MARK 3 MODEL FEATURES & ASSEMBLY INSTRUCTIONS

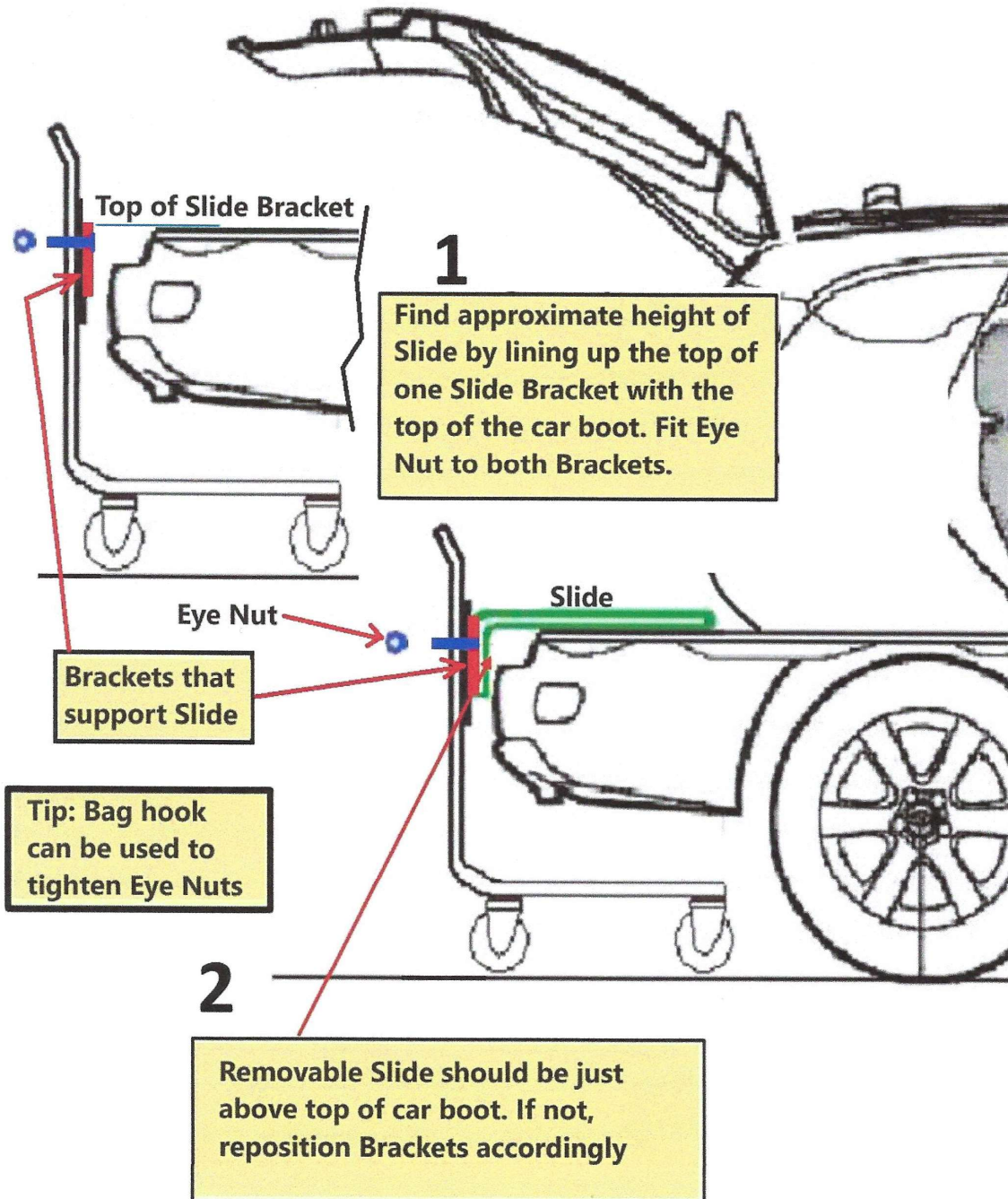


1. Fit Front Frame to Back Frame using bolt A and nut B (x2)
2. Fit Frame Handle to Back Frame using bolt C and nut B (x4)
3. Fit Slide Bracket D to Frame Handle using eye nut E (x2)  
(refer to height adjustment instruction information)
4. Attach Removable Slide to Slide Brackets D
5. Place Basket on Removable Slide and attach the Safety Strap (refer video on website for instruction re safety strap)





## ADJUSTING HEIGHT TO SUIT CAR

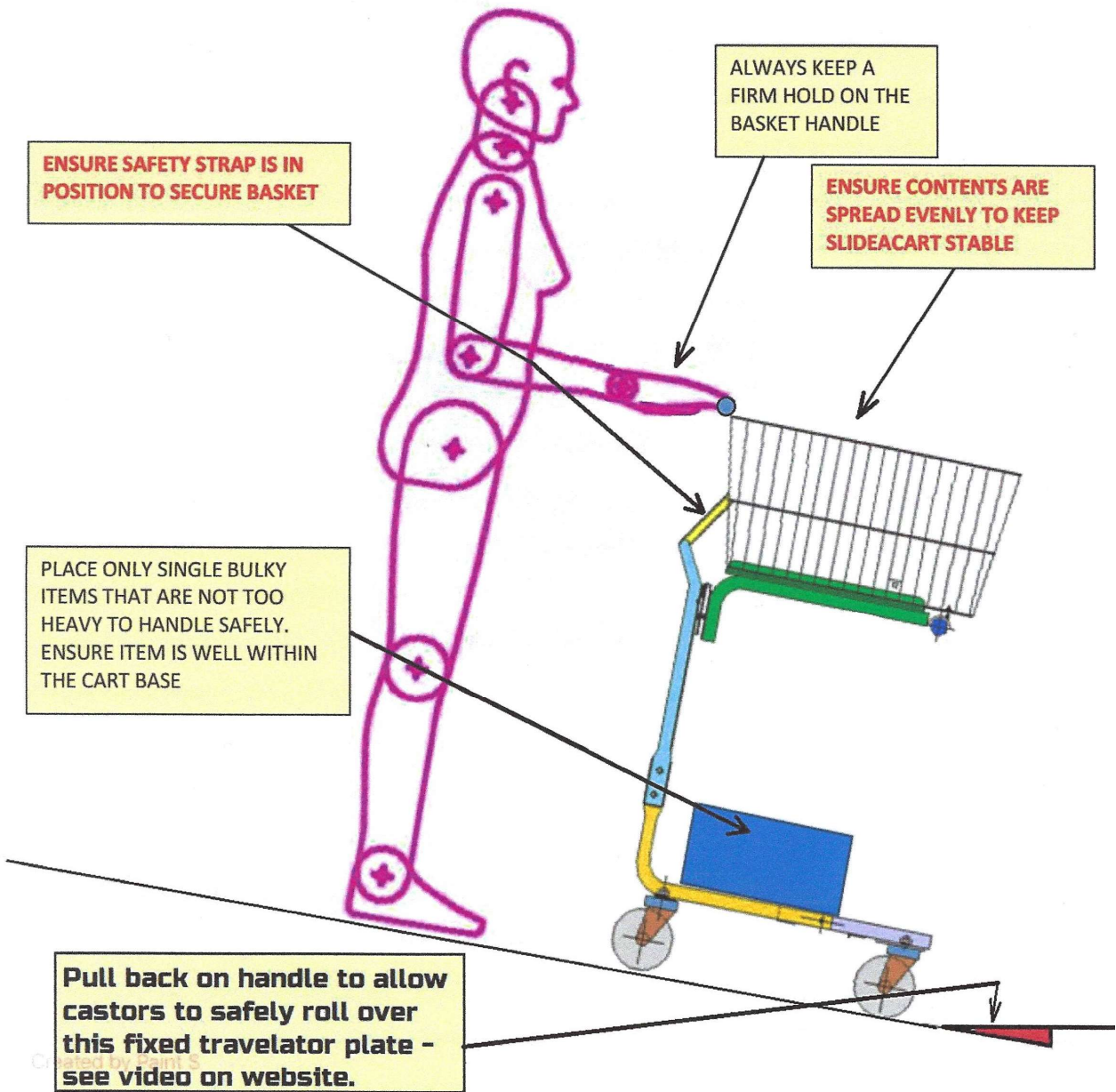




REFER TO WEBSITE VIDEOS FOR OTHER DETAILS

**IMPORTANT SAFETY INSTRUCTIONS Part 1**

**USING TRAVELATORS**





REFER TO THE WEBSITE VIDEOS FOR OTHER DETAILS

## IMPORTANT SAFETY INSTRUCTIONS Part 2

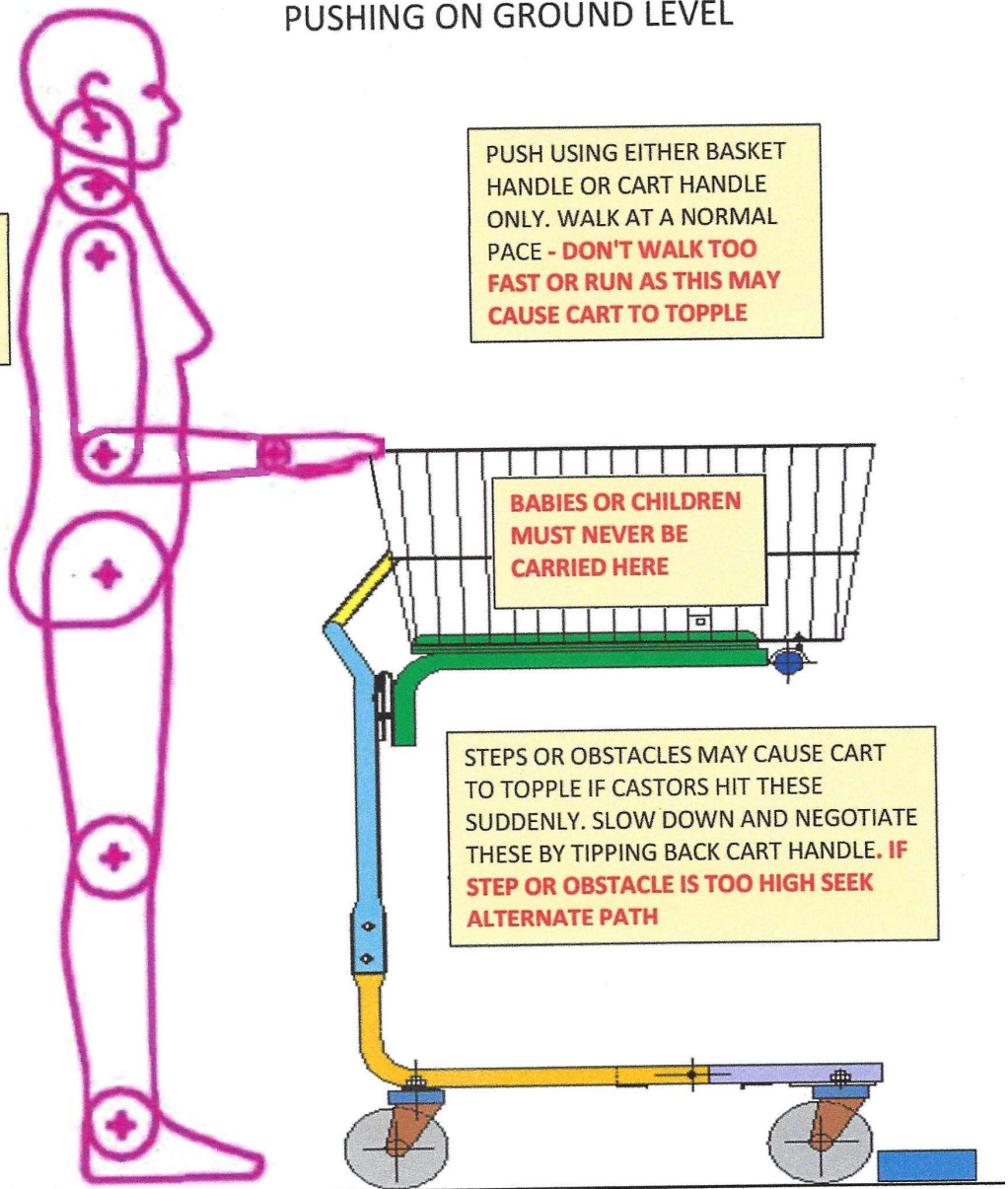
### PUSHING ON GROUND LEVEL

NEVER MOVE SLIDEACART WITHOUT SAFETY STRAP IN POSITION

PUSH USING EITHER BASKET HANDLE OR CART HANDLE ONLY. WALK AT A NORMAL PACE - **DON'T WALK TOO FAST OR RUN AS THIS MAY CAUSE CART TO TOPPLE**

**BABIES OR CHILDREN MUST NEVER BE CARRIED HERE**

STEPS OR OBSTACLES MAY CAUSE CART TO TOPPLE IF CASTORS HIT THESE SUDDENLY. SLOW DOWN AND NEGOTIATE THESE BY TIPPING BACK CART HANDLE. **IF STEP OR OBSTACLE IS TOO HIGH SEEK ALTERNATE PATH**



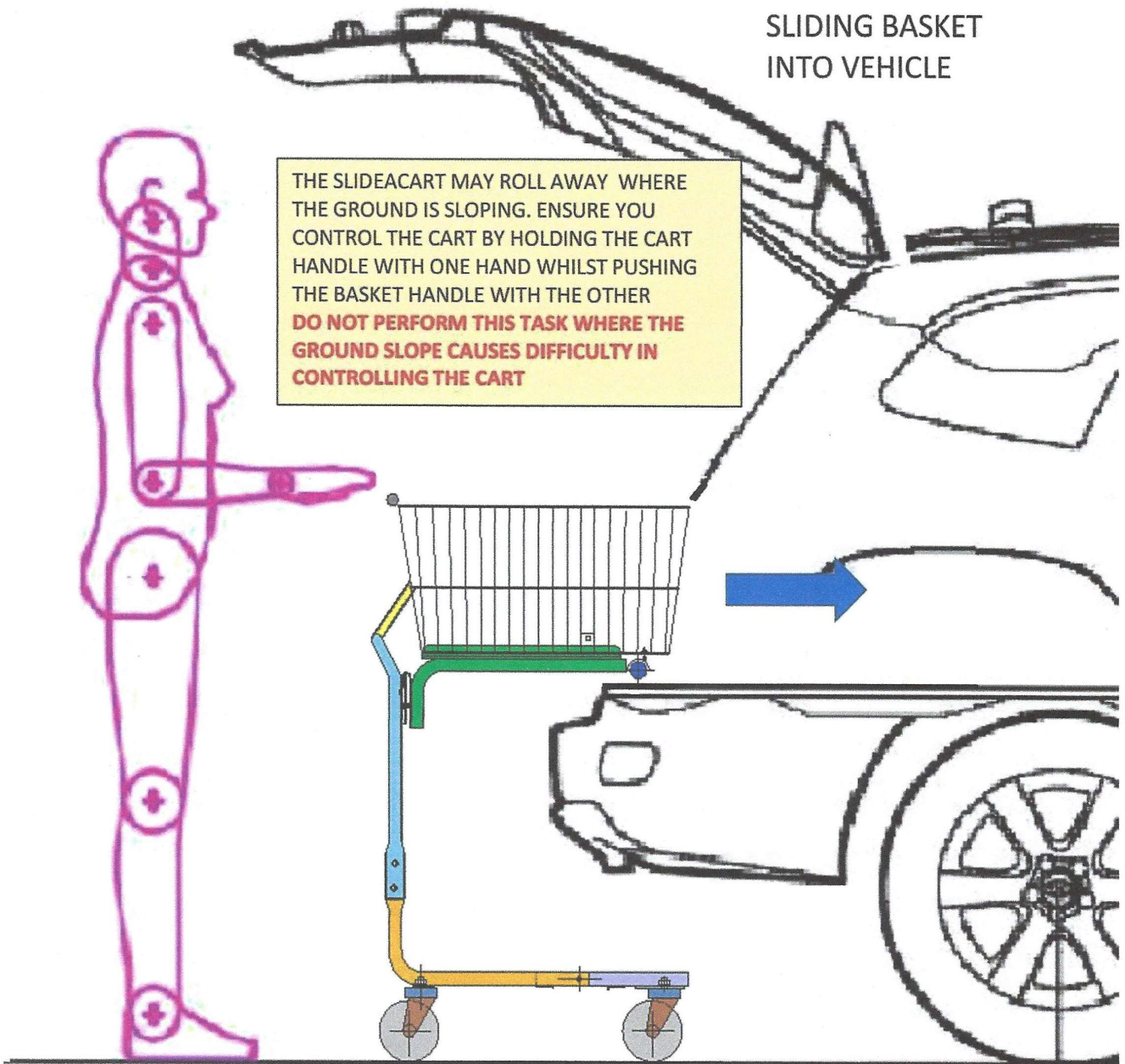


REFER TO THE WEBSITE VIDEOS FOR OTHER DETAILS

## IMPORTANT SAFETY INSTRUCTIONS Part 3

SLIDING BASKET  
INTO VEHICLE

THE SLIDEACART MAY ROLL AWAY WHERE THE GROUND IS SLOPING. ENSURE YOU CONTROL THE CART BY HOLDING THE CART HANDLE WITH ONE HAND WHILST PUSHING THE BASKET HANDLE WITH THE OTHER  
**DO NOT PERFORM THIS TASK WHERE THE GROUND SLOPE CAUSES DIFFICULTY IN CONTROLLING THE CART**





## Placement of SlideAcart inside boot of car



Clip Slide on basket  
or place next to  
basket (see video  
on website)



Clip Slide on basket  
or place next to  
basket

For smaller vehicles - rotate front frame to fit inside boot  
Basket can be turned sideways as shown in photo